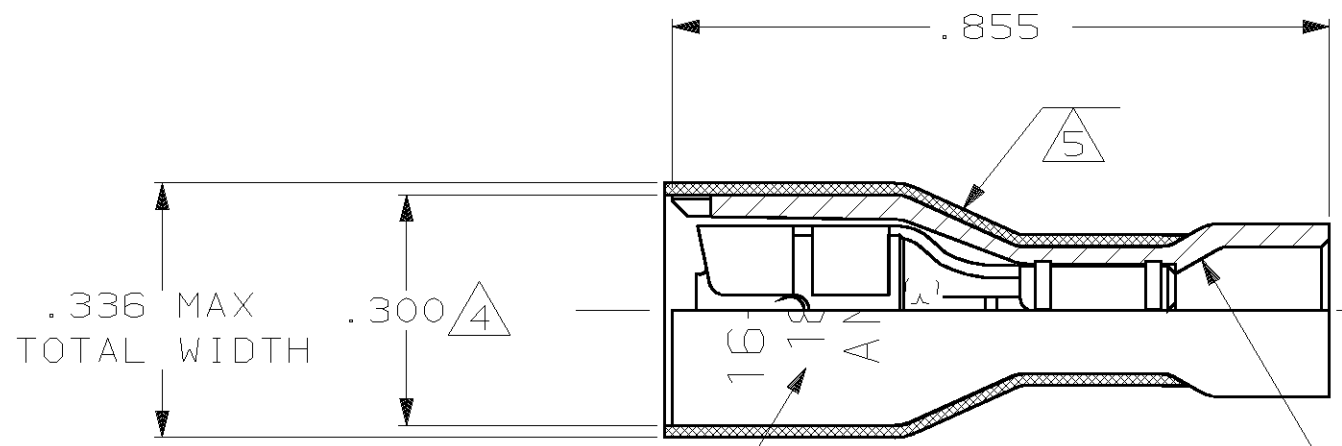
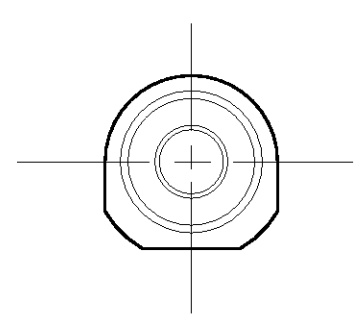
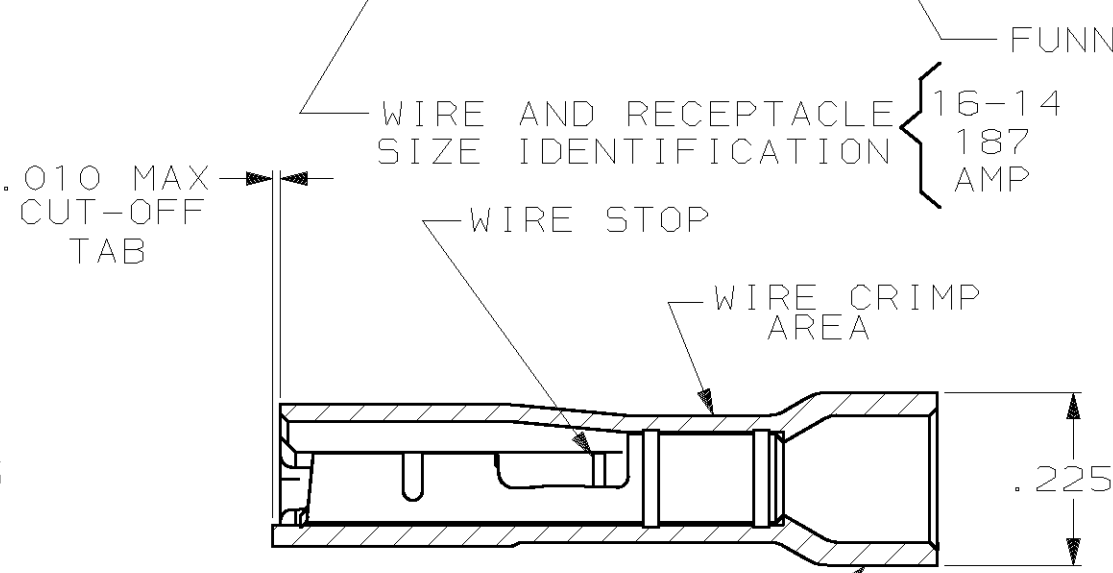
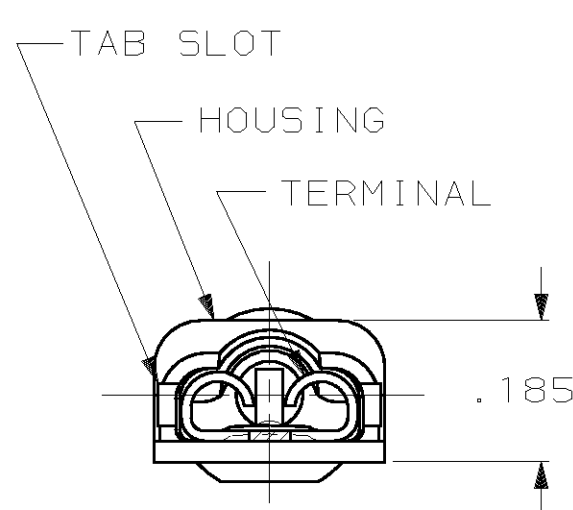


THIS DRAWING IS UNPUBLISHED. RELEASED FOR PUBLICATION, 19  
 © COPYRIGHT 19 BY AMP INCORPORATED. ALL INTERNATIONAL RIGHTS RESERVED.

LOC AF	DIST 50	P	F	REVISIONS			DATE	APPD
				ZONE	LTR	DESCRIPTION		
					K	REV PER 0G1A-0148-99	4/JUN/99	JR/JH



- 1 MATES WITH .032±.001×.187 TAB
- 2 WIRE STRIP LENGTH .281
- 3 INSULATION SIZE .160 MAX DIA
- △4 DIMENSION DOES NOT INCLUDE TRIM BURR
- △5 .015 MAX CARRIER TRIM BURR PER SIDE IS ALLOWABLE IN THE SHADED AREA



HOUSING: NYLON, COLOR-BLUE TRANSLUCENT		3-520125-2	
RECEPTACLE: #3 HARD BRASS			
TIN PL .000080 MIN THK			
MATERIAL & FINISH		PART NO	
DO NOT SCALE PRINT. UNLESS SPECIFIED DIMENSIONS IN INCHES TOLERANCES ON: 2 PLC DEC ± - 3 PLC DEC ± .015 ANGLES ± -	DR 11/7/88 P FORTNEY	AMP INCORPORATED Harrisburg, Pa. 17105	
	CHK 11/7/88 MS FEHER		
MATERIAL SEE TABLE	APPD 11/7/88 K RANDOLH	NAME RECEPTACLE ASSY, ULTRA-FAST, LOOSE PIECE, .187 SERIES, 16-14 AWG	
	APPD 11/14/88 T SHUTTER	SIZE <b>B</b>	FSCM NO 00779
FINISH SEE TABLE	PRODUCT SPEC 108-2043	DRAWING NO 520125	
	APPLICATION SPEC 114-2123	SCALE 4:1	SHEET 1 OF 1
	WEIGHT -		